



FINEX SIEVES PVT.LTD.

FINEX SIEVES PVT LTD India's Leading Designer and Manufacturer of Powder Processing Machineries for Grinding, Screening, Mixing, Drying, Crushing, Cleaning, Pelet Making and Material Handling Equipment's and Plants. Established in the year 1981 we are one of the leaders in Designing and Manufacturing of Powder Processing Machineries providing Innovative, Customized products for the process Industries. We supply all over the world with over 2500 successful Installations and are located in Vadodara, Gujarat India's Largest Engineering Industrial Estate. We are having a Land Area of 27,000 sq ft with a built up Area of over 10,000 sq ft.

We also have Demo Machines both in Stainless steel and Mild steel for all the models that we mfg and we offer trials and undertake development work for new application.

FINEX SIEVES PVT. LTD.

606, GIDC, MAKARPURA, VADODARA,
GUJARAT, INDIA-390010.

Ph: - 91-265-2638842, Fax:- 91-265-2311871

M: 91-9376232820

Visit Site:www.finexsieves.com

E-mail:contact@finexsieves.com
fsieves@yahoo.com

POWDER PROCESSING PRODUCT RANGE OF FINEX EQUIPMENTS & PLANTS

<p><u>GRINDING EQUIPMENTS</u> Hammer Mill Pin Mill Micro Mill Plastic Grinding Mills Ultra Fine Mills Air Swept Mills</p>	<p><u>CRUSHING</u> Lump Crushers Lump Breakers Inline Crushers</p>
<p><u>SCREENING EQUIPMENTS</u> Gyratory Separators Vibratory Graders Rotary Sifters Rotary Drum Sifters Cleaning Graders Air Aspirators Destoners Air Classifiers</p>	<p><u>MATERIAL HANDLING SYSTEMS</u> Screw Conveyors Vibratory Feeders Bucket & Belt Conveyors PJ Dust Collectors Rotary Airlock Valves Pneumatic Conveying Systems</p>
<p><u>DRYERS & ROASTERS</u> Pneumatic Dryers Flash Dryers Roasters <u>Continuous</u> FLUID BED PNEUMATIC DRYING PLANTS</p>	<p><u>TURNKEY PLANTS</u> Salt Refinery Spice Plant Air Classification Plants</p> <p><u>BLENDERS & MIXERS</u> Ribbon Blenders Paddle Blenders Drum Mixers</p>

APPLICATIONS

CHEMICLAS	PHARMACEUTICALS	COSMETIC	PLASTICS
Fillers	Insecticides	Detergent	Pigment
Resins	Spices	Ceramics	Fillers
Cement	Food Flour Powder	Lime	Mineral

FINEX PINMILL

For Grinding chemical powders such as starches, sodium bisulphate, Gaur gum splits, etc From 100mesh to 300mesh.

Narrow Range Particle Distribution of grinded powders.

Universal Mills with Rotating and Fixed Pins on plates .External Stationary screen drum with perforated mesh fitted . Specially

Designed manufactured for Chemical Applications where the Multi mill has limitations to grind powders only till 60 mesh. The Finex

Pinmill can Grind powders till 200Mesh . Grinding Mills offered are

from 100kgs/hr to 2000kgs/hr. .The GMP Pinmill of SS316 can

Grind powders till 200Mesh such as Methformin, paracetomal etc.

Grinding Mills offered are from 100kgs/hr to 2000kgs/hr.

A unique name for manufacturing machines for Grinding , Screening , Mixing , Drying , Material Handling , Equipments & Plants.

➔ **PULVERIZING MODELS:-**

➔ **TECHNICAL DATA :-**

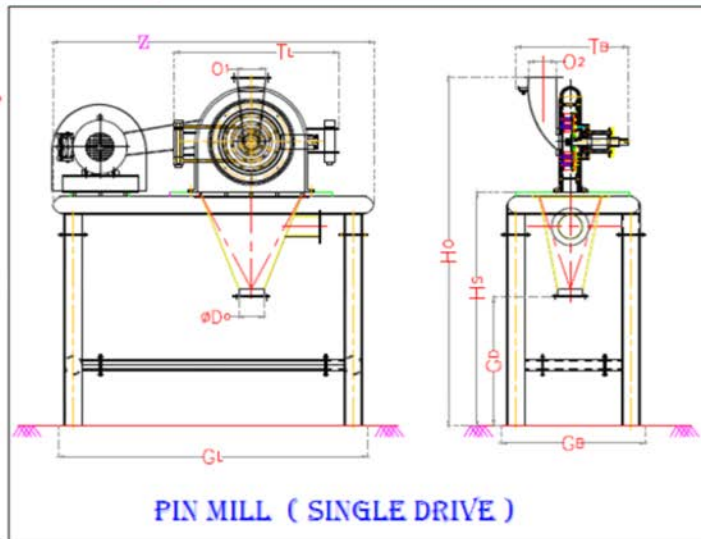
MODEL NO.	MOTOR (H.P.)	CAPACITY (Kg/hr.)
PIN MILL 200	05	200
PIN MILL 300	10	500
PIN MILL 600	30	1000

GRINDING FROM 100 TO 300 MESH (SINGLE DRIVE)

➔ **DIMENSION TABLE :-**

MODEL NO.	$O_1 \times O_2$	$\varnothing D_0$	H_0 / H_s	G_D	Z	$G_L \times G_B$	$T_L \times T_B$
PM 200	130 x 130	150	1375/1000	600	1250	1050 X 550	520 X 490
PM 300	165 x 165	150	1800 / 1200	600	1550	1250 X 650	810 X 610
PM 600	210 x 210	200	2175 / 1200	550	1900	1800 X 900	1100 X 900

ALL THE DIMENSIONS ARE IN MM



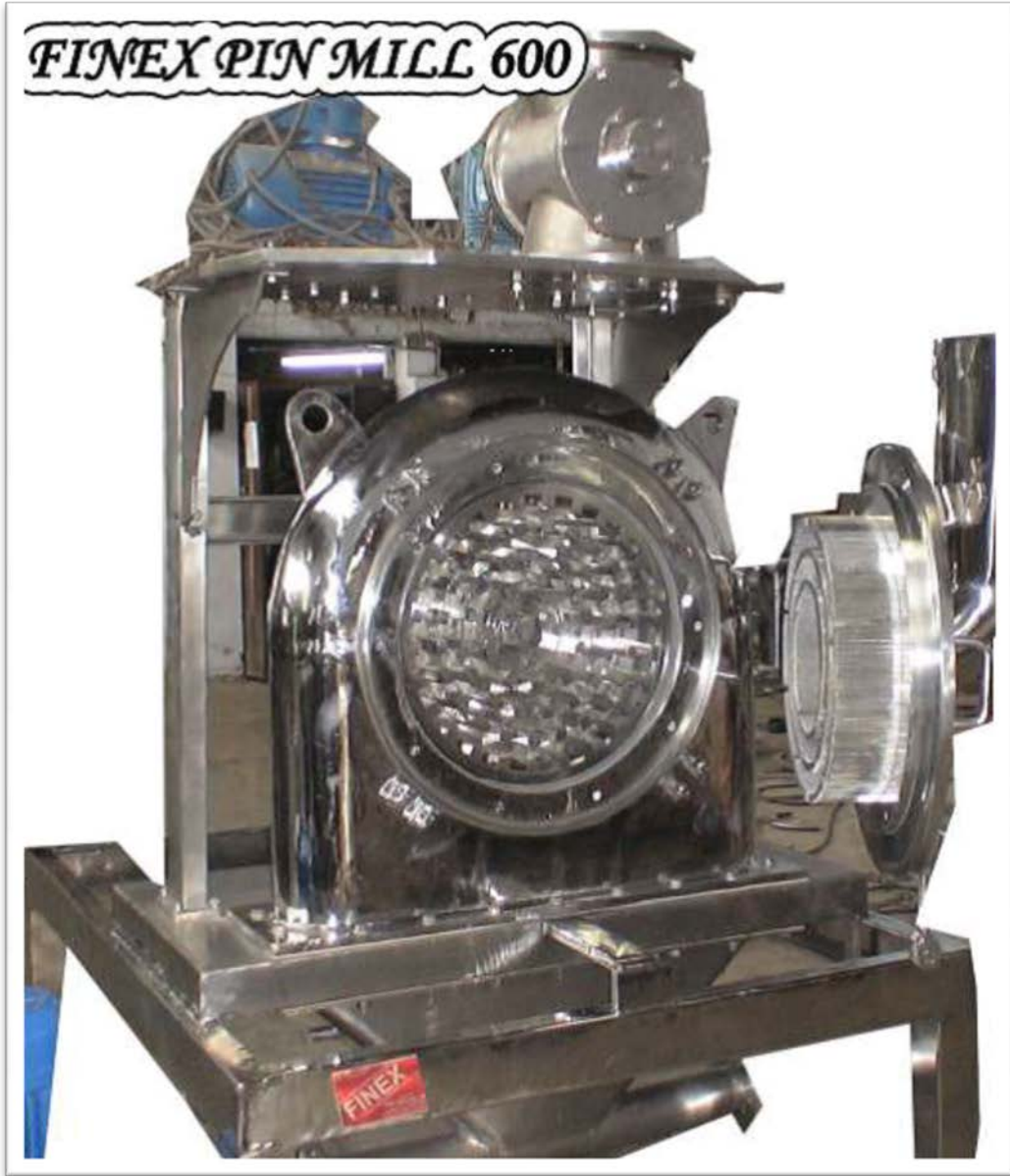
PIN MILL (SINGLE DRIVE)



FINEX PINMILL -600



FINEX PIN MILL 600



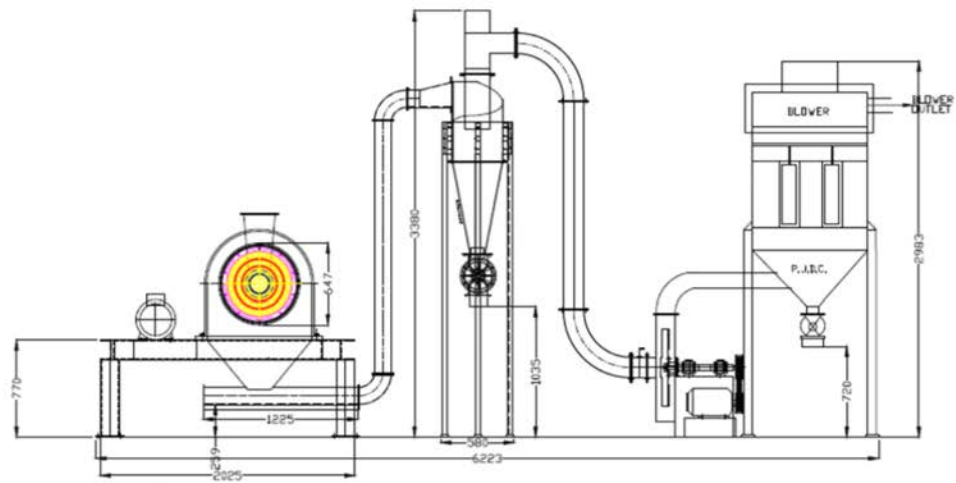
FINEX PIN MILL 600 M.S



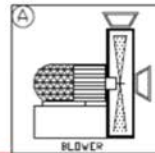
FINEX PIN MILL 600 M.S



FINEX PIN MILL -600 PLANT



5.	RAV	02.
4.	BLOWER	01.
3.	P.J.D.C.	01.
2.	CYCLONE	01.
1.	PIN MILL-500	01.
QTY.	NAME	QTY.



DRG.NO:-FSPL/K/11/05/2008
 FINEX SIEVES PVT. LTD.
 606 GIDC MAKARPURA,
 BARDA-10
 PH:642214,643842
 FAX:311871
 WEB: www.flnexsieves.com